

Haldane

Polka



HALDANE

Dotty Hottie.

The skinny-legged Polka café table collection was inspired by Cape Town's world-famous foodie culture. Feminine and functional, the playfully quirky design incorporates a swirling polka dot pattern into its tops. Robust and durable enough for commercial use, this beauty is offered in a multitude of delicious colours.





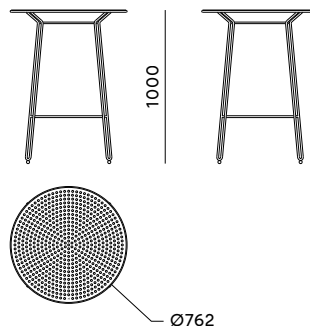


Materials

Top and Base

SS Powder Coated

Dimensions



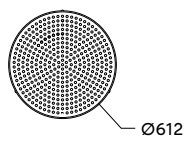
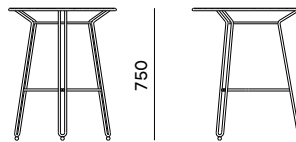


Materials

Top and Base

SS Powder Coated

Dimensions



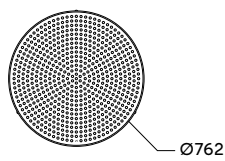
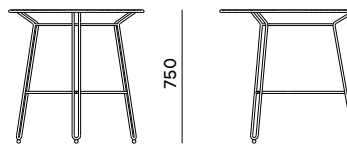


Materials

Top and Base

SS Powder Coated

Dimensions



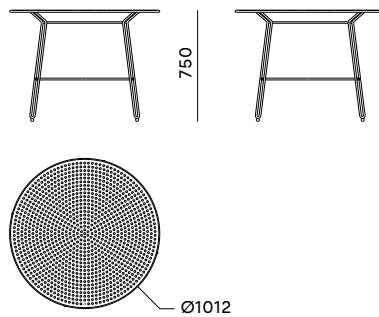


Materials

Top and Base

SS Powder Coated

Dimensions



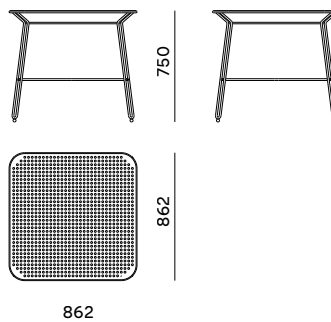


Materials

Top and Base

SS Powder Coated

Dimensions

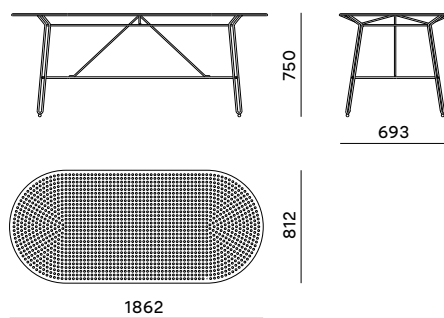




Materials

Top and Base SS Powder Coated

Dimensions



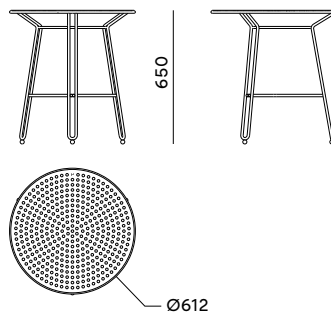


Materials

Top and Base

SS Powder Coated

Dimensions



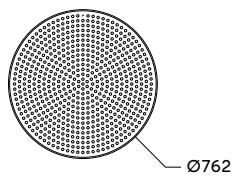
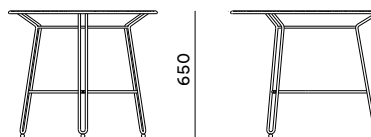


Materials

Top and Base

SS Powder Coated

Dimensions



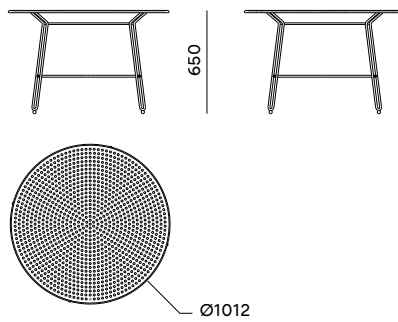


Materials

Top and Base

SS Powder Coated

Dimensions



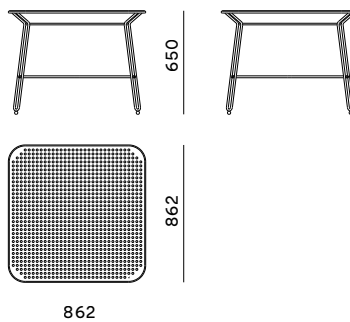


Materials

Top and Base

SS Powder Coated

Dimensions





Powder Coat Colours

Aluminium, Stainless Steel (SS304) and Marine Grade Stainless Steel (SS316) components are offered powder coated in exterior grade UV-stable pure polyester with a luxurious ferro grain finish in the colour of your choice, from our extensive colour palette.



Traffic White



Silk Grey



Light Grey



Basalt Grey



Umber Grey



Cream



Lemon Cream



Brass Yellow



Lemon Yellow



Peanut butter



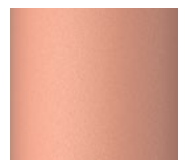
Ochre Brown



Chestnut Brown



Terra Brown



Beige Red



Coral Red



Purple Red



Milkshake Pink



Aster Flower



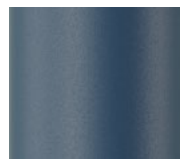
Pastel Violet



Pastel Turquoise



Himalaya Blue



French Blue



Gentian Blue



Ocean Blue



Jet Black



Pale Green



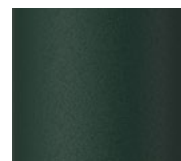
Rich Green



Emerald Green



Olive Green



Moss Green

Outdoor Steel Powder Coating Care

Care for your powder coated stainless steel & aluminium components by wiping when dirty with a damp cloth soaked in a solution of mild detergent (like Sunlight Liquid) and water.

For coastal environments (within 200m of the ocean) it is necessary to make use of Marine Grade stainless steel SS316 and to wipe sea air condensation off of your furniture on a weekly basis. Avoid harsh chemical cleaning products and scratching with sharp objects as this can damage the powder coating.

Haldane Martin Design (Pty) Ltd (Seller) offers a limited warranty of 3 years on products sold by the Seller to the purchaser (Purchaser), covering defects in material and workmanship under normal use conditions, subject to the terms, conditions and limitations described below.

1. Warranty Periods

The 3 year warranty period commences from the date of the original invoice. For products sold through authorized distributors, the warranty commences from the date of the original invoice to the distributor.

2. Warranty Exclusions

2.1. The following are excluded from this Limited Warranty:

- a) Products sold directly from the showroom floor.
- b) Products acquired on sale.
- c) Products manufactured in customer supplied materials (COM)
- d) Prototype products.
- e) Normal wear and tear, including but not limited to:

Scratches, burns, watermarks, indentations. Pilling, fading, or wrinkling of fabrics. Natural aging of timber to a silver-grey patina. Hairline cracks in timber (these are natural and do not affect structural integrity). Minor variations in timber grain, colour, or texture.

2.2 Environmental Conditions:

Damage resulting from exposure to conditions outside the following parameters:

- a) Temperature below -5°C or above 50°C
- b) Relative humidity over 90% or below 35%
- c) Coastal environments (within 1km of ocean) without Marine Grade SS316 (A4) stainless steel upgrade and required weekly maintenance
- d) Storage of furniture in enclosed, poorly ventilated spaces for extended periods
- e) Timber components when furniture is used in heavily air-conditioned indoor environments or climate-controlled spaces where relative humidity falls below 35%.

2.3 Improper Care and Maintenance:

- a) Failure to follow care and maintenance instructions.
- b) Use of improper cleaning products or methods.
- c) Abuse, neglect, or misuse of products.
- d) Unauthorized alterations, modifications, or repairs.
- e) Damage from accidents, impact, or external forces.

2.4 Natural Material Variations:

Minor variations in color, grain, and texture of timber and fabric are inherent characteristics of natural materials and do not constitute defects. Small differences between actual products and images, samples, or illustrations are not covered by this warranty.

3. Warranty Transferability

This warranty is extended only to the original Purchaser and is non-transferable. The warranty does not extend to any subsequent owner or transferee. Proof of original purchase is required for all warranty claims.

4. Warranty Claims Procedure

4.1 Notification Requirements:

The Purchaser must notify the Seller in writing of any defect within the applicable warranty period.

Notification must include:

- a) Proof of purchase (dated invoice or receipt)
- b) Detailed description of the alleged defect
- c) Clear photographs showing the defect
- d) Evidence of proper care and maintenance (if requested by Seller)

4.2 Inspection Rights: The Seller reserves the right to inspect any product claimed to be defective before making a final determination.

4.3 Remedy: If a defect is determined by the Seller to be covered under this warranty, the Seller will, at its sole discretion:

- a) Repair the defective product or component.
- b) Replace the defective product or component.
- c) Issue a refund or credit for the affected product.

4.4 Shipping and Transportation Costs:

Domestic and International Customers will qualify for Outbound Replacement Shipping: Within the first year of the warranty period, the Seller will cover the cost of shipping approved replacement products or parts to the Purchaser via the seller's chosen shipping method and shipper. Shipping is limited to major cities only - remote delivery addresses are excluded.

After the first year, all outbound shipping costs are the responsibility of the Purchaser. For International Customers that have purchased through a Distributor:

- a) Warranty claims must be submitted through the authorized distributor.
- b) The Seller will ship approved replacement products to the distributor EXW (Ex Works) Cape Town, South Africa.
- c) All customs clearance, duties, and taxes shall be the responsibility of the distributor.
- d) The end customer is responsible for shipping defective items to the distributor for evaluation (not to the Seller in South Africa).

Important Note: This warranty does not cover any costs for installation, removal, reinstallation, or labour associated with warranty repairs or replacements.

5. Limitation of Liability

5.1 The Seller's liability under this Limited Warranty is limited to the repair or replacement of defective products. The Seller shall not be liable for:

- a) Lost profits or business interruption.
- b) Replacement or rental costs for substitute furniture.
- c) Installation, removal, or reinstallation costs.
- d) Labor costs associated with repair or replacement.

- e) Shipping or transportation costs (except as specifically provided in Section 4.4).
- f) Consequential, incidental, special, or indirect damages.
- g) Damage to property or persons.

5.2 This warranty applies only to furniture used for the purpose for which it was designed. The Seller is not liable for damage resulting from improper use or application.

6. Care and Maintenance Requirements

Proper care and maintenance are essential to maintain warranty coverage. Failure to follow these instructions may void the warranty. (See Care and Maintenance Instructions)

7. General Provisions

7.1 This warranty constitutes the entire warranty agreement between the Seller and Purchaser and supersedes all prior representations or agreements.

7.2 This warranty shall be governed by and construed in accordance with the laws of South Africa.

7.3 If any provision of this warranty is found to be invalid or unenforceable, the remaining provisions shall continue in full force and effect.

This warranty is effective as of 1 January 2026 and supersedes all previous warranty statements.



